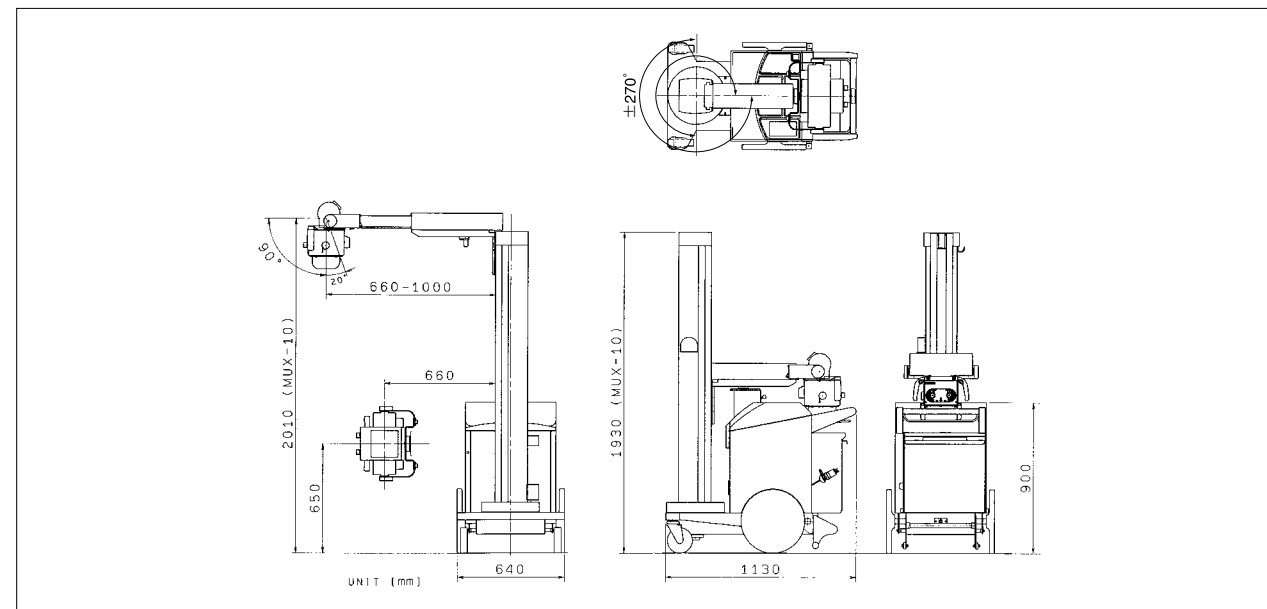


MOBILEART *eco*

Specifications

X-ray High Voltage Generator	
Power rating (max.)	12.5kW
Tube voltage range	40-125kV, 1kV steps
mAs range	0.32-100 (200*) mAs in 12.5% steps (* option)
Tube current(max.)	160mA
X-ray Tube	
Maximum anode heat capacity	140kHU
X-ray tube focal spot size	0.7mm
Power Supply	
AC100, 110, 120, 200, 220, 230, 240V 50/60Hz, 1.5kVA	
Weight	240kg
Cassette storage capacity	Ten 14" × 17" cassettes

Dimensions unit=mm



Founded in 1875, Shimadzu Corporation, a leader in the development of advanced technologies, has a distinguished history of innovation built on the foundation of contributing to society through science and technology. We maintain a global network of sales, service, technical support and applications centers on six continents, and have established long-term relationships with a host of highly trained distributors located in over 100 countries. For information about Shimadzu, and to contact your local office, please visit our Web site at www.shimadzu.com

Shimadzu Corporation Medical Systems Group has been certified by TÜV Rheinland as a manufacturer of medical equipment and systems in compliance with ISO9001:2000 Quality Management Systems and ISO13485:2003 Medical Equipment Quality Management Systems.

Remarks:

- ※Every value in this catalogue is a standard value, and it may vary a little from the actual at each site.
- ※The appearances and specifications are subject to change for reasons of improvement without notice.
- ※Certain configurations may not be available pending regulatory clearance. Contact your Shimadzu representative for information on specific configurations.
- ※Before operating this system, you should first thoroughly review the Instruction Manual.

SHIMADZU
Solutions for Science
since 1875

Mobile X-ray System MUX-10

MOBILEART *eco*



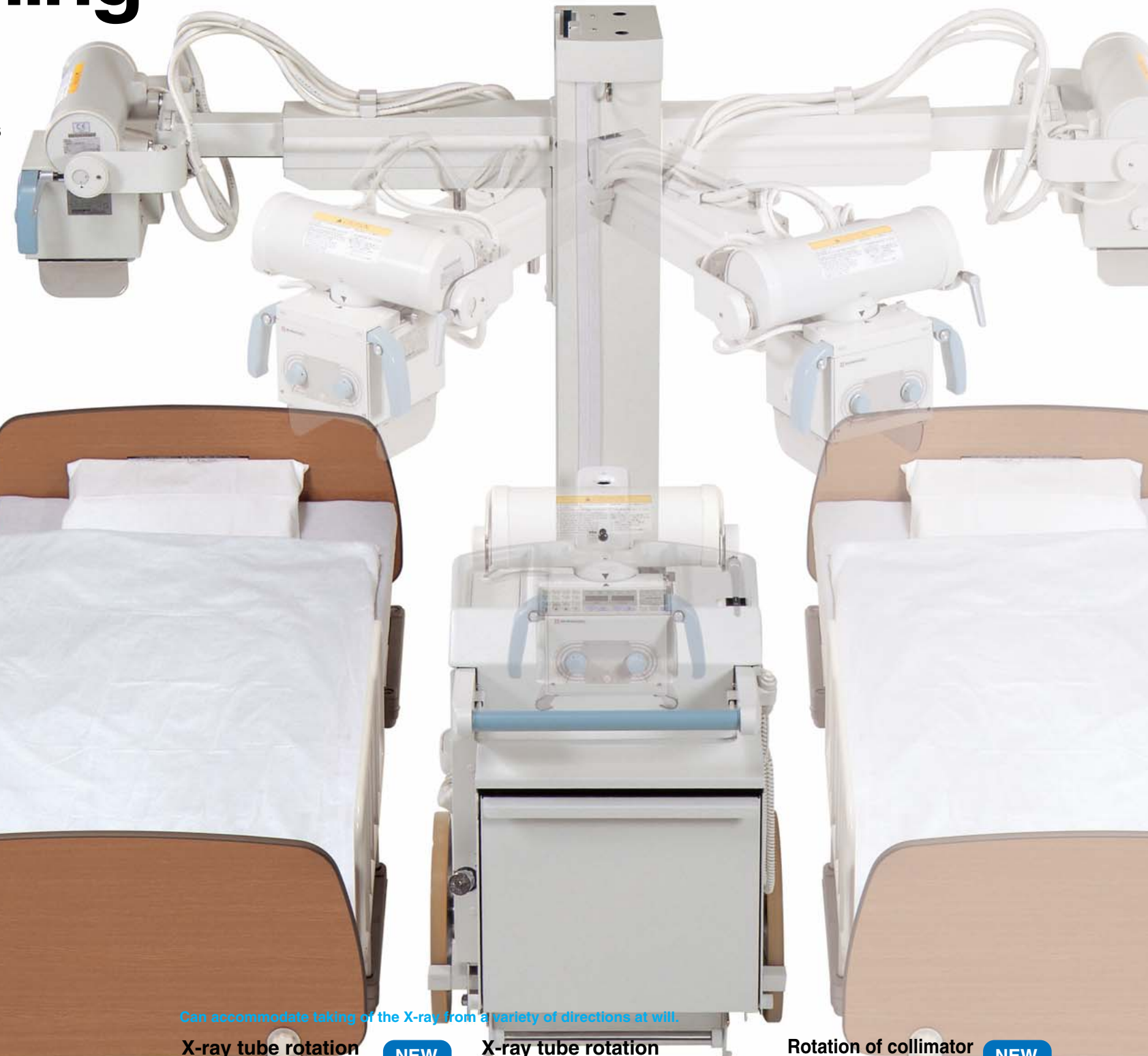
SHIMADZU

SHIMADZU CORPORATION, International Marketing Division
3, Kanda-Nishikicho 1-chome, Chiyoda-ku, Tokyo 101-8448, Japan
Phone: 81(3)3219-5641 Fax: 81(3)3219-5710
URL <http://www.shimadzu.com>

Flexible bedside positioning

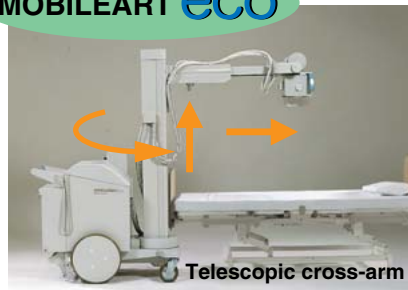


Shimadzu's new generation mobile X-ray system allows X-rays to be taken easily in limited spaces. This is made possible by the flexibility of the new X-ray tube support system with its telescopic arm which minimizes the necessity to continually relocate the main unit.



The telescopic system simplifies smooth positioning.

MOBILEART **eco**



Telescopic cross-arm

Easy positioning at the bedside.

"All Free" lock control buttons



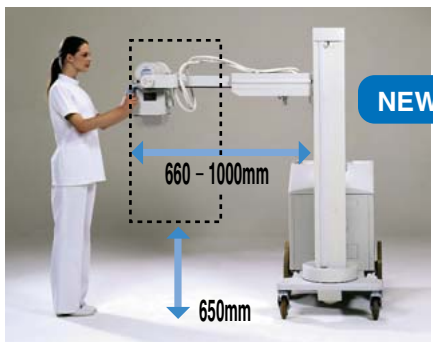
Wide coverage area

Adjustment of focus-film distance, tube rotation, extension and contraction of the cross-arm.

Long arm and wide stroke allow flexible positioning and extensive coverage.

"All Free" lock control buttons

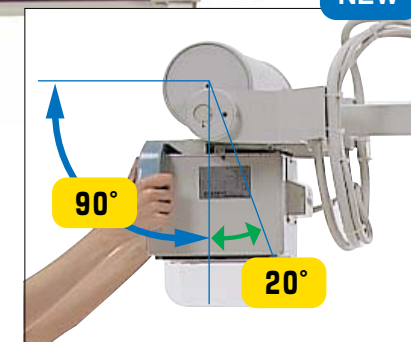
Extensive coverage



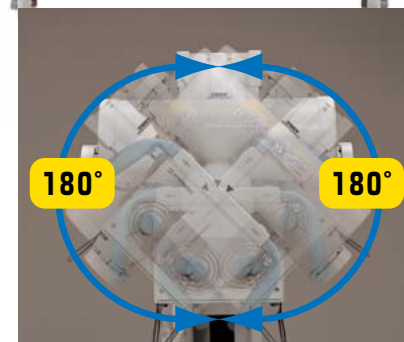
Can accommodate taking of the X-ray from a variety of directions at will.

X-ray tube rotation

NEW

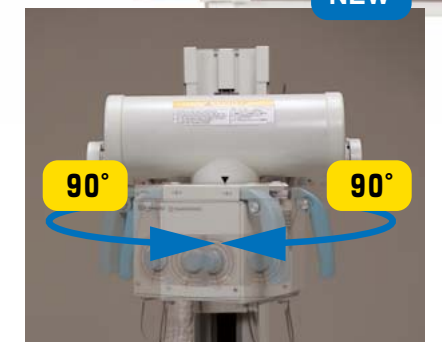


X-ray tube rotation

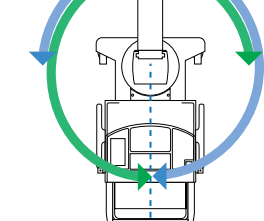


Rotation of collimator

NEW



Rotation ± 270 degree

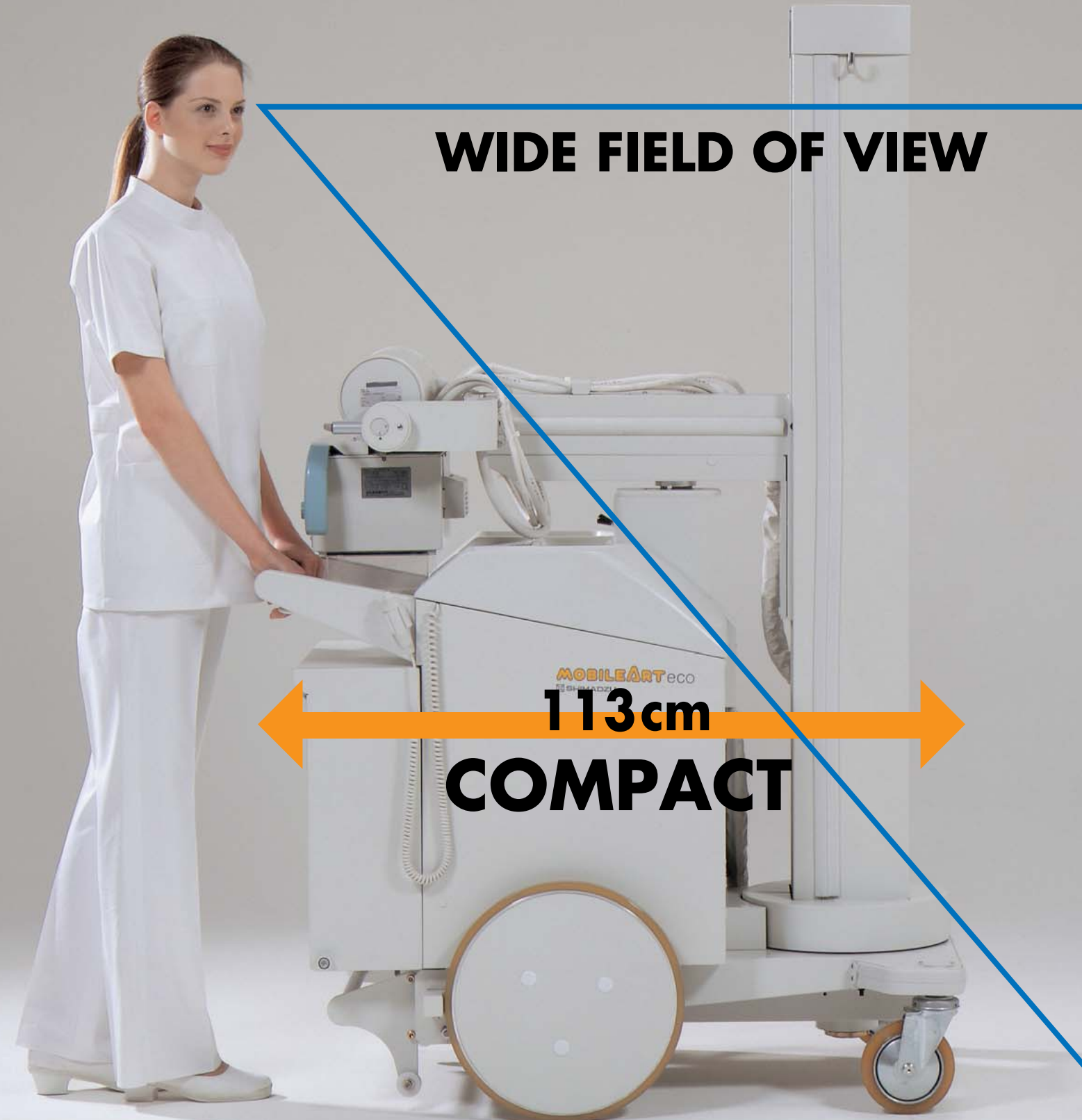


Compact and good visibility design for safety when traveling.

Compact and good visibility design for moving safely.

Lightweight design to achieve easy maneuverability in the hospital.

It is the lightest device of its type in the industry, with an easy-to-use telescopic system.



Simply "step over" obstacles.

When moving around the hospital, even obstacles like a change in floor level can be easily negotiated by raising the body a little. With its large wheels and step mechanism for lifting the front wheels, you can "step over" obstacles easily.



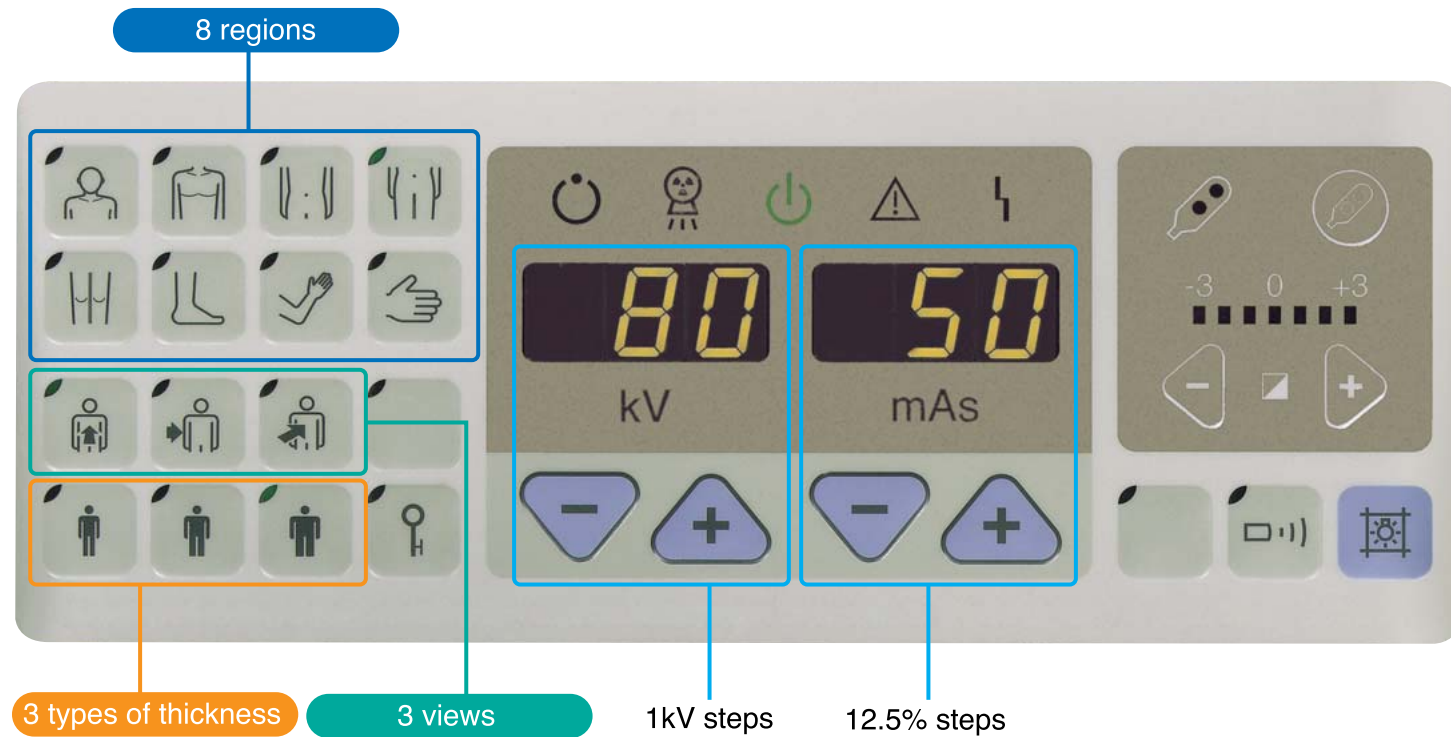
Change direction on the spot

Direction can be changed on the spot, so moving around in confined spaces is easy.



Sophisticated radiography functions

With large, easy-to-read exposure factors.



Anatomical Programs (APR)

- 8 regions
- 3 views
- 3 types of thickness

Simple operation

The anatomical programs (APR) featured with graphic buttons contribute to intuitive operation with shortest key stroke.
Max. 72 types of radiography parameters can be memorized for each application.

High quality imaging

Maximum frequency **60kHz**

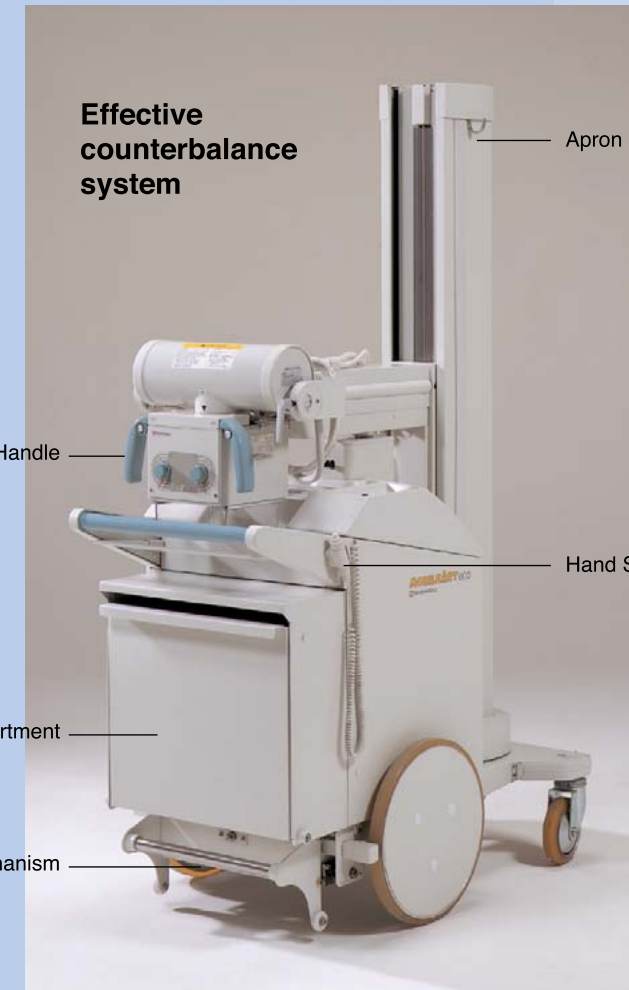
Maximum tube voltage **125kV**

Maximum mAs **100mAs**
*200mAs (option)

The generator has a variable frequency range capable of reaching up to 60KHz. In practical terms, this translates to very high quality radiation intensity and hence production of excellent image quality compared to other types of generators.

Radiation safety

For the radiographer, the system is designed to work with an infrared remote control device (option). This feature allows the operator to use distance to enhance radiation safety. The distance will not compromise the efficiency of the user as the system has large parameter displays for verification of exposure factor.



Other Features

Cassette Compartment



Apron hanger



Optional items

Protection Partition

option



Infrared remote control device

option



200mAs option

option

Color option

<Factory option>



Standard Color



Pink