

MUX-10T

Mobile X-Ray Systems



Reliable Basic Functionality Delivering Superb Performance

Compact and good visibility design for safety when travelling

Compact and good visibility design for moving safely. Lightweight design to achieve easy maneuverability in the hospital.

Simply “step over” obstacles

When moving around the hospital, even obstacles like a change in floor level can be easily negotiated by raising the body a little. With its large wheels and step mechanism for lifting the front wheels, you can “step over” obstacles easily.



*Mux-10 in pictures are with Shimadzu XRay Tubes...

Sophisticated Radiography Functions



APR buttons for one-touch setup of radiography conditions

Simply select one of the 72 preset anatomical programs (APR) to configure the optimal radiography conditions for the corresponding radiography region, direction, and body thickness.

$$\begin{array}{ccccccc}
 \boxed{8} & \times & \boxed{3} & \times & \boxed{3} & = & \boxed{72} \\
 \text{Regions} & & \text{Directions} & & \text{Body thicknesses} & & \text{Programs}
 \end{array}$$

High quality Imaging

The generator has a variable frequency range capable of reaching up to 60kHz. In practical terms, this translates to very high quality radiation intensity and hence production of excellent image quality compared to other types of generators.

Inverter frequency
max. 60kHz

Maximum tube voltage
125 kV

Tube current-time product
max. 100mAs
(200mAs optional)



Wide coverage area

Long arm and wide stroke allow flexible positioning and extensive coverage.



Change direction on the spot

Direction can be changed on the spot, so moving around in confined spaces is easy.

Other features



Cassette Compartment



Apron Hanger

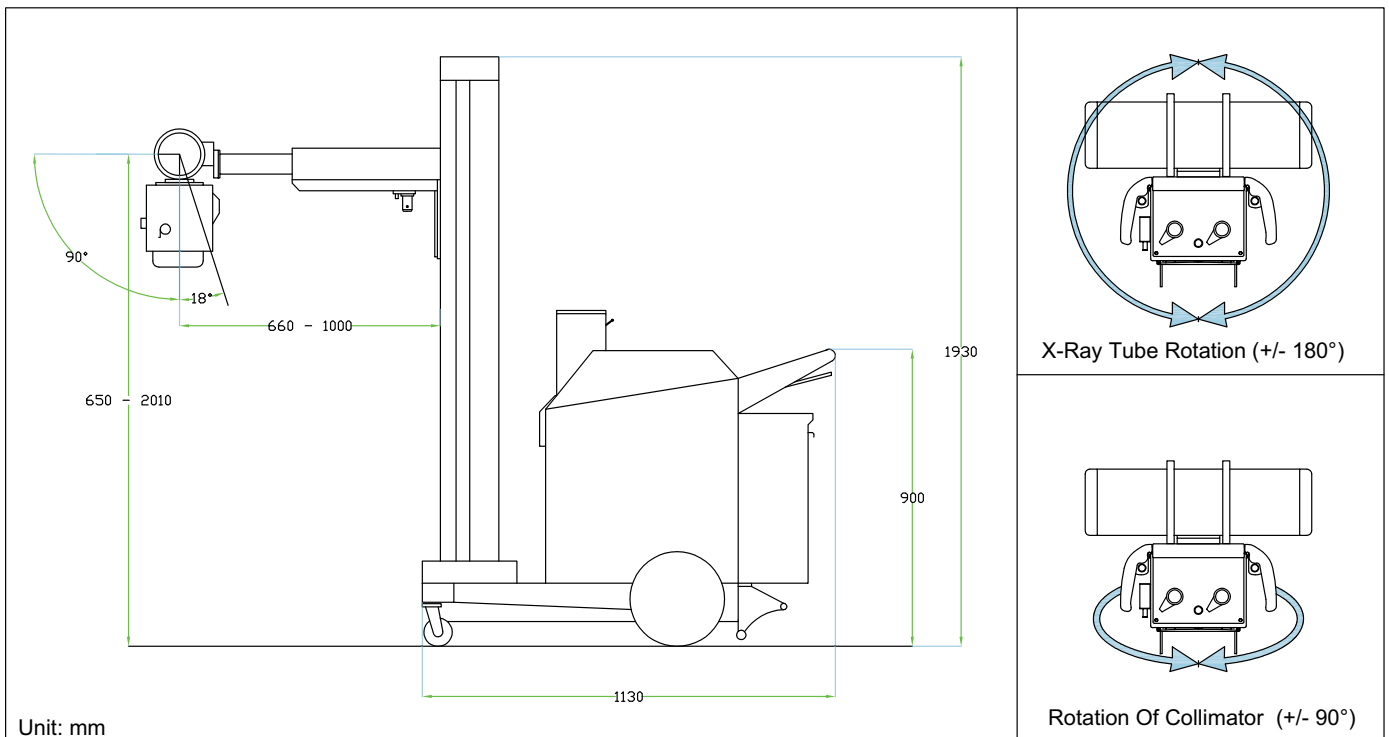
Option



Infrared Remote Control Device

SPECIFICATIONS

Balancing Method	Counterbalance
Max. allowable counterbalancing weight	37 kg
X RAY HIGH VOLTAGE GENERATOR	
Power Rating (max)	12.5kW
Tube Voltage Range	40 - 125kV, 1kV steps
mAs Range	0.32-100 (200*) mAs in 12.5% steps (*option)
Tube Current (max)	160mA
X-RAY TUBE	
Maximum Anode Heat Capacity	140 kHU
X-ray tube Focal Spot Size	1.00 / 2.00 mm
Operation	Manual, Click stop by - 15°, +45°, +90°
DETAILS	
Power supply	AC 220-240 V, 50Hz, 1.5kVA
Weight	240 kg
Cassette Storage Capacity	Ten 14" x 17" Cassettes



Shimadzu Medical (India) Pvt Ltd.,

South (Registered Office & Factory)

1063, 1st Floor, Munusamy Salai, K.K. Nagar, Chennai - 600 078.
 Ph : +91-44-2471 5535, Fax : +91-44-2471 5530
 E-mail : admin@shimadzuindia.com

West

1 A/B, Rushabh Chambers, Makwana Road, Marol Andheri (East), Mumbai - 400 059.
 Ph: +91-22-2920 1692/ 4741/ 4809 Fax : +91-22-2920 1678 Mobile : +91-9321336060

East

4th floor, Devi Market, No. 83, S. P. Mukherjee Road, Kolkata - 700 026.
 Telefax: +91-33-2463 9088 Fax: +91-33-2463 9088 Mobile : +91-9339799191

North

408-409, Rattan Jyoti, 18, Rajendra Place, New Delhi - 110 008
 Ph: +91-11-2586 3931 / 2586 2421 Fax : +91-11-2586 2968

